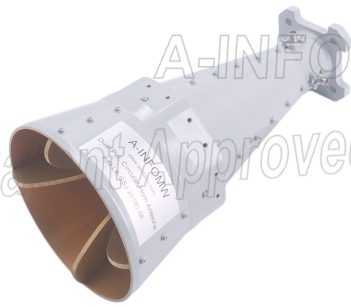


For reference only. See data sheet for the detailed specifications.

## Technical Specification

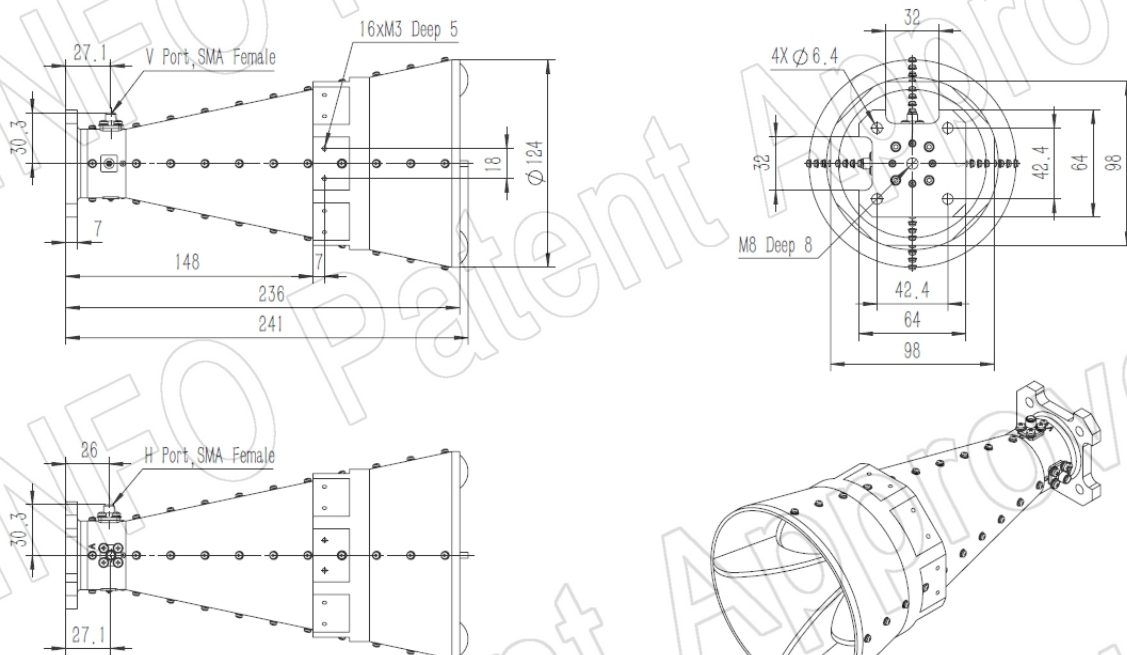
Frequency Range(GHz)	2.0 – 18.0
Gain(dBi)	16 Typ.
Polarization	Dual Linear
3dB Beamwidth(deg)	E Plane: 86 - 15
	H Plane: 85 - 11
Cross Pol. Isolation(dB)	30 Typ. ; 20 Min.
Port to Port Isolation(dB)	35 Typ. ; 30 Min.
VSWR	1.5:1 Typ.
	2.0:1 Max.
Output	SMA-Female or N-Female
Power Handling(W CW)	SMA-Female: 25 Max.
	N-Female: 25 Max.
Material	Al
Finish	Chemical Conversion Coating, Gray Paint
Size(mm)	124 x 124 x 241
Net Weight(Kg)	0.93 Around


**PATENT ID (US)**
**US D976880**
**PATENT ID (China)**
**ZL202023113601.3, ZL202030087714.7**

## Outline Drawing (Size: mm)

**SMA-Female Output (P/N: LB-CSJ-20180-SF)**

For N-Female output outline drawing, please contact A-INFO.


**AINFO Inc.**

 China(Beijing):  
 China(Chengdu):  
 USA :

 Tel: (+86) 10-6266-7326,  
 Tel: (+86) 28-8519-2786,  
 Tel: (+1) 949-639-9688,

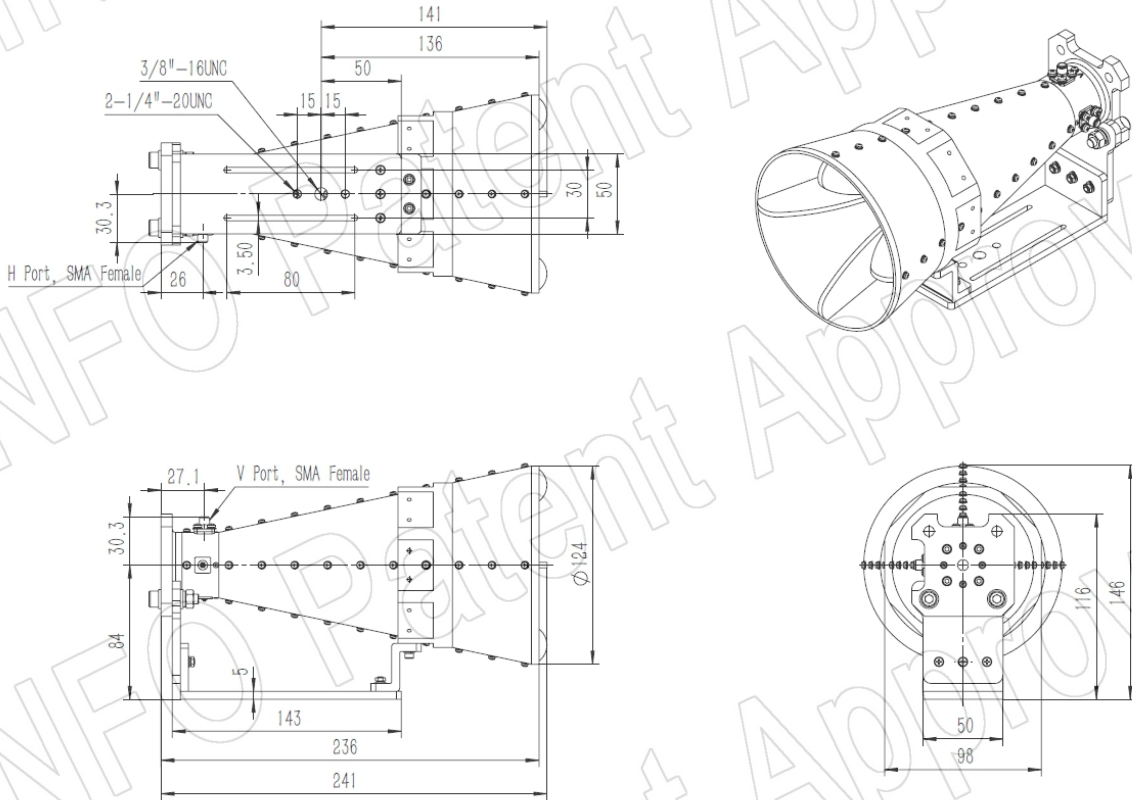
 (+86) 10-6266-7327  
 (+86) 28-8519-3044  
 (+1) 949-639-9608

 Fax: (+86) 10-6266-7379  
 Fax: (+86) 28-8519-3068  
 Fax: (+1) 949-639-9670

 Website: [www.ainfoinc.com](http://www.ainfoinc.com)  
 Email: [sales@ainfoinc.com](mailto:sales@ainfoinc.com)

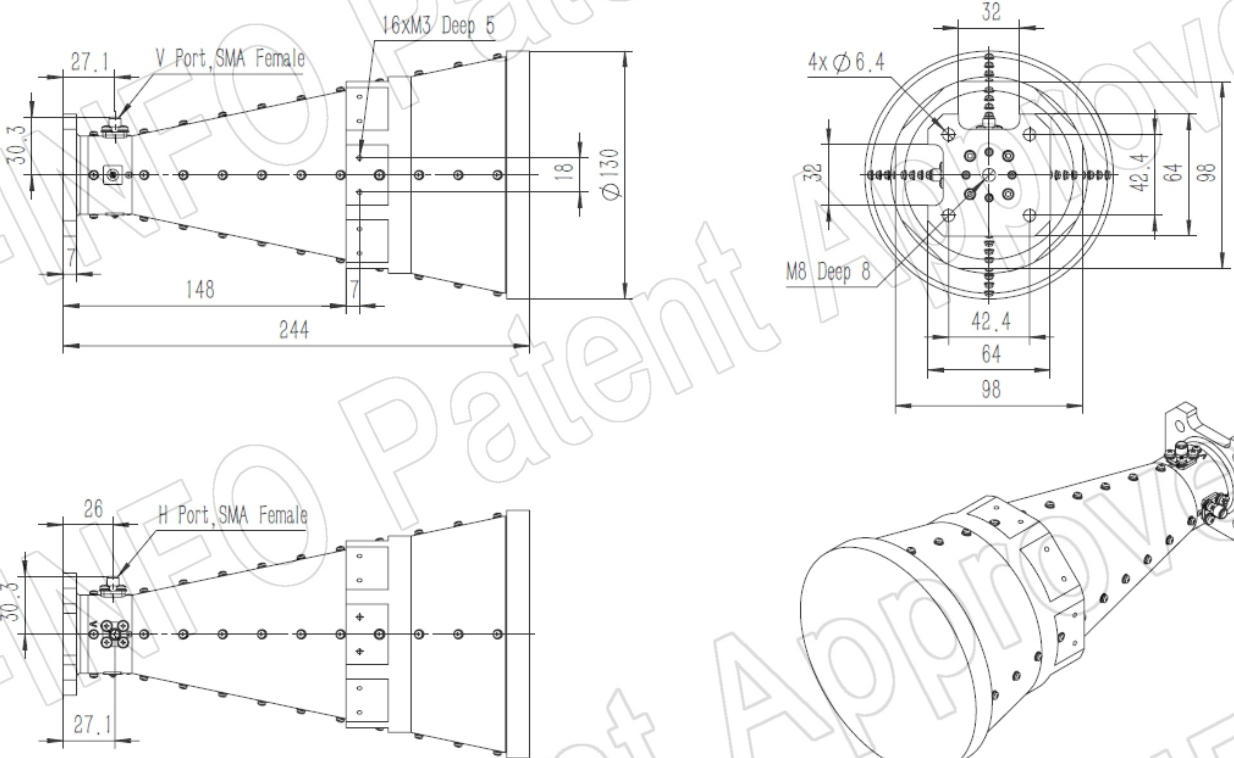
## SMA-Female Output with L Type Mounting Bracket (Option, P/N: LB-CSJ-20180-L)

For N-Female output outline drawing, please contact A-INFO.



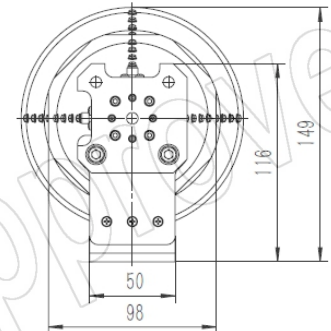
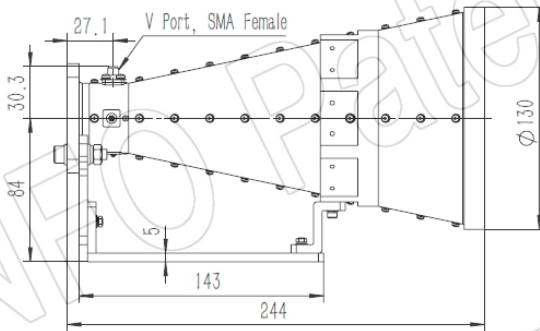
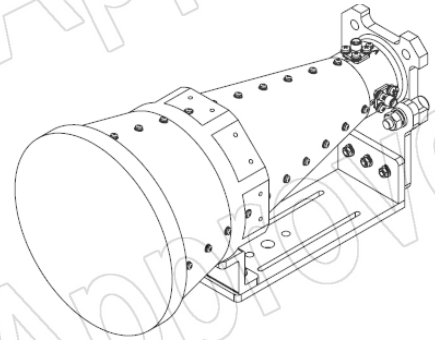
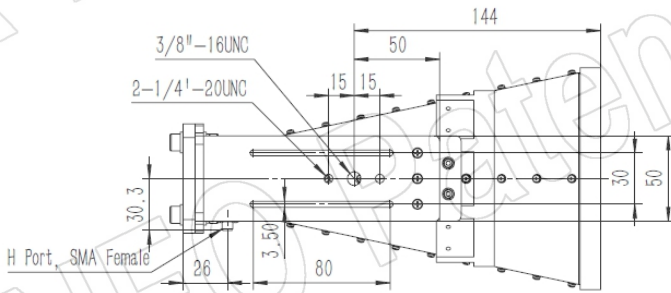
## SMA-Female Output with Radome (Option, P/N: LB-CSJ-20180-SFSP0, Outdoor Application)

For N-Female output outline drawing, please contact A-INFO.



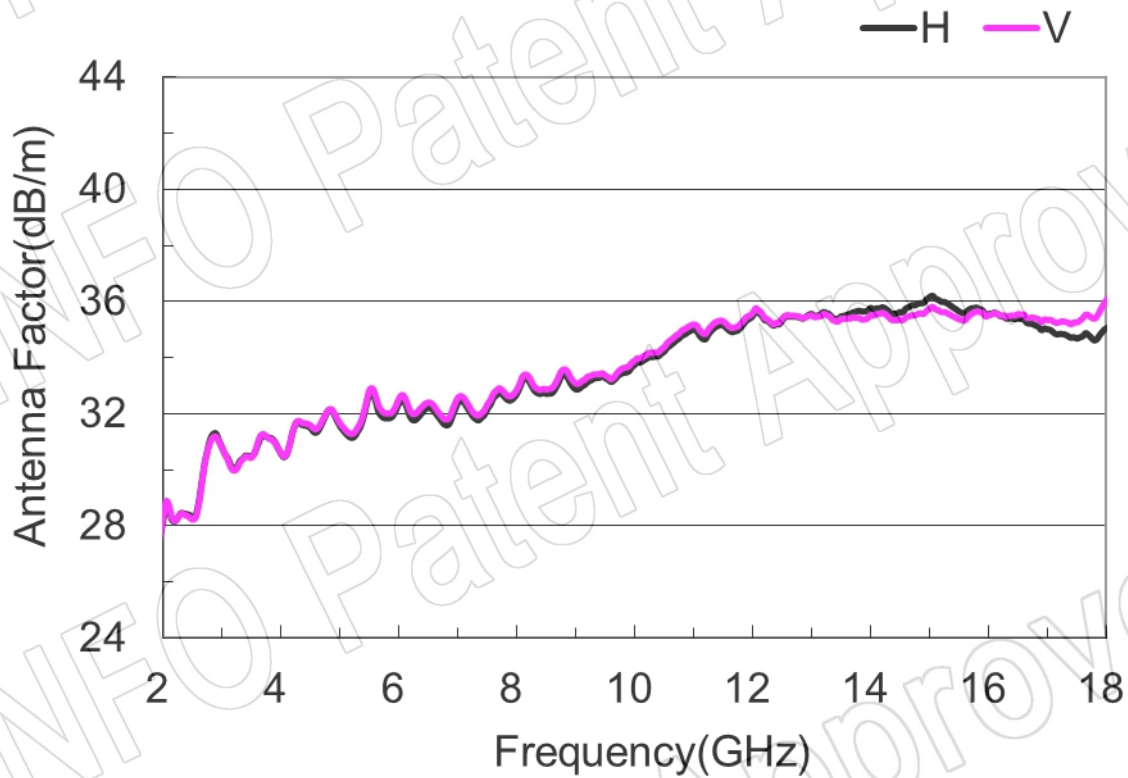
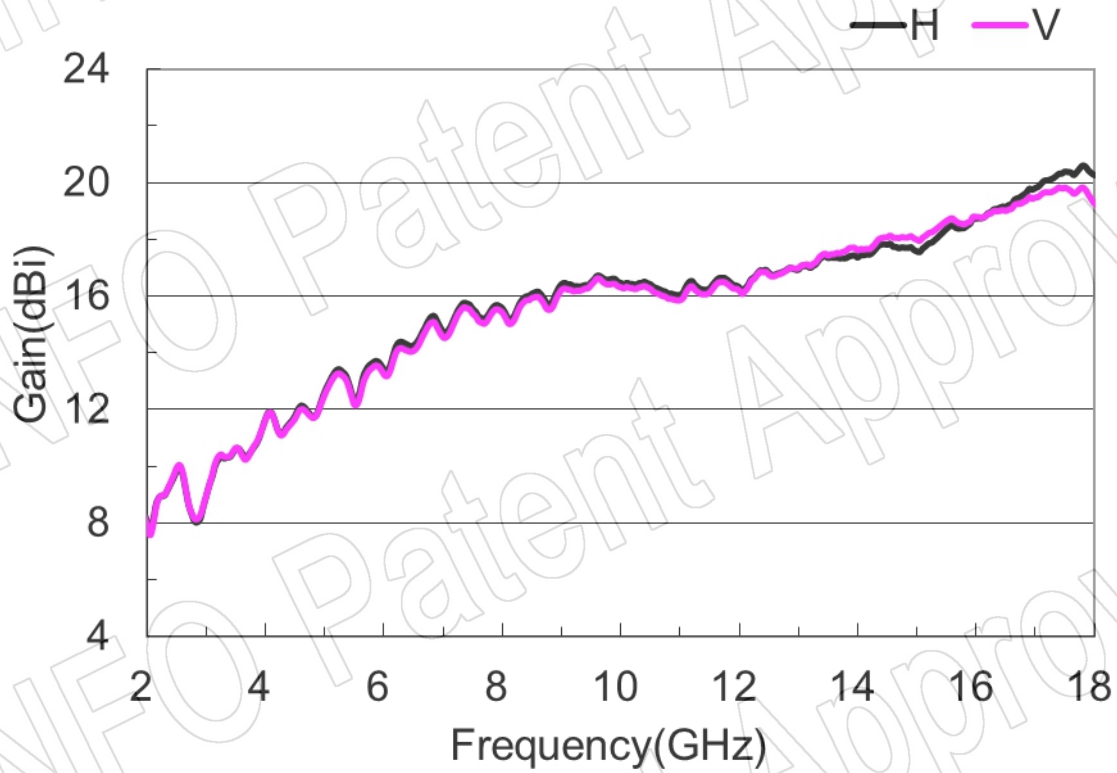
SMA-Female Output with L Type Mounting Bracket & Radome (Option, P/N: LB-CSJ-20180-L & LB-CSJ-20180-SFSP0, Outdoor Application)

For N-Female output outline drawing, please contact A-INFO.

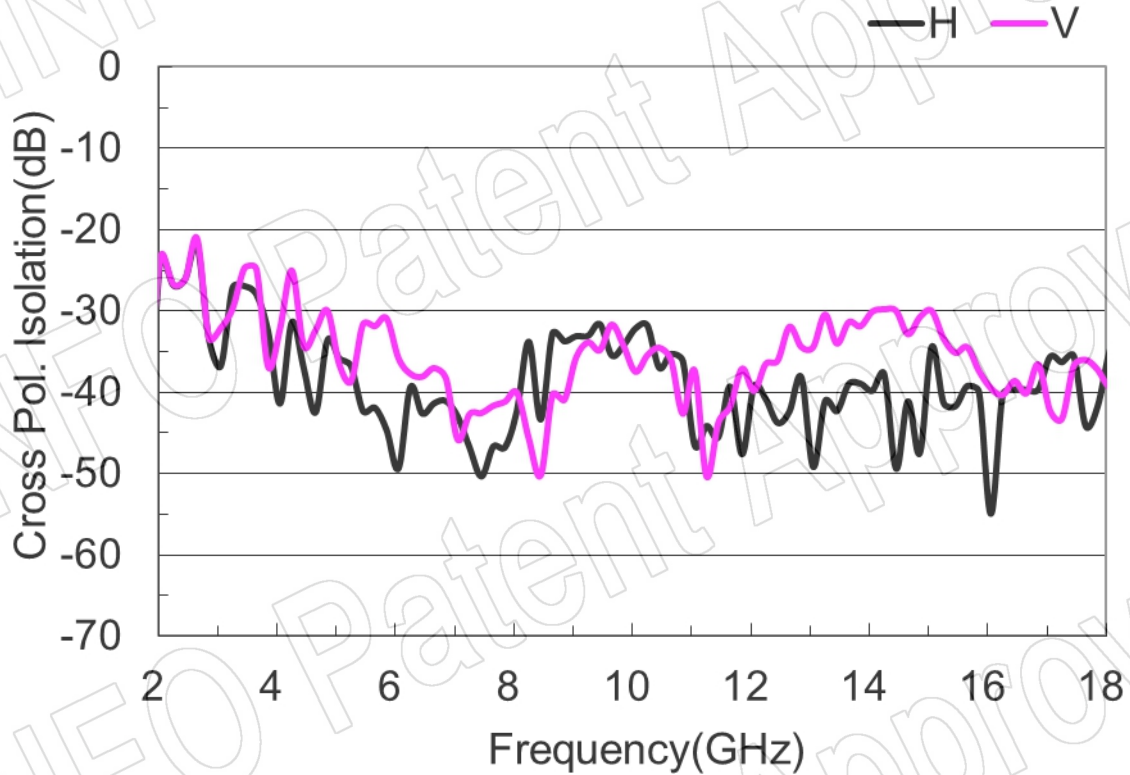


## Test Results

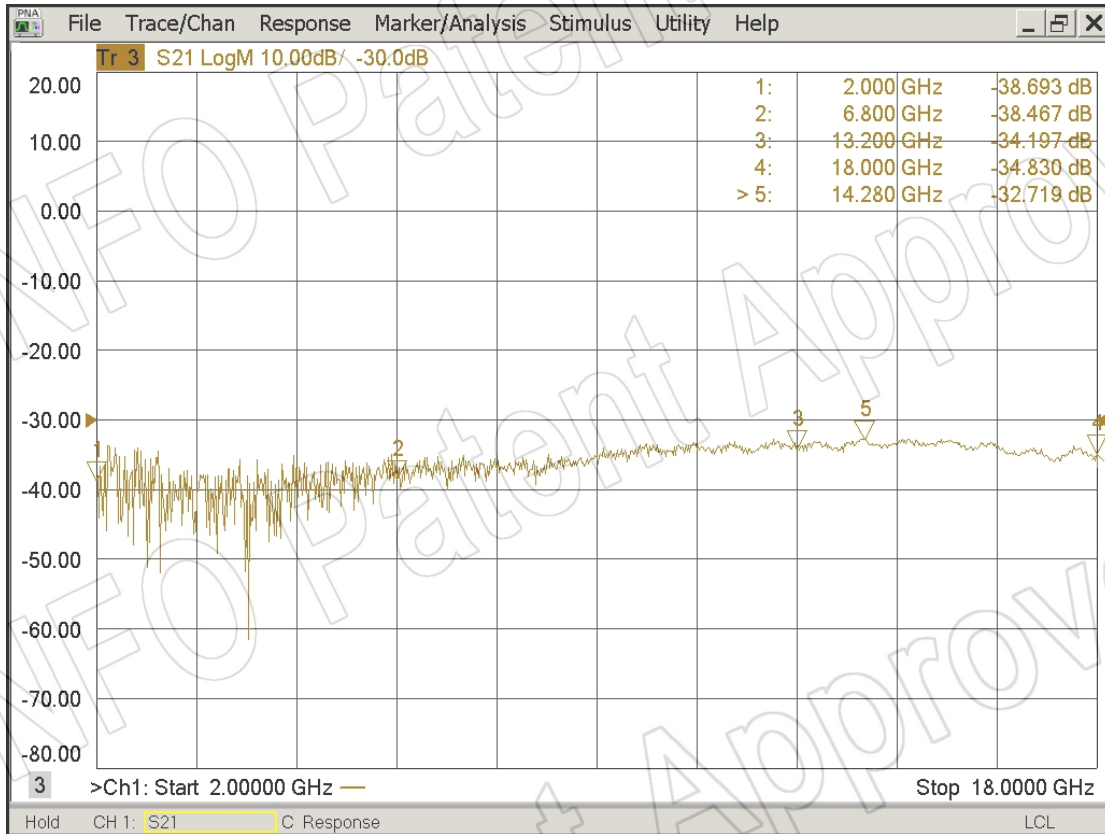
### 1. Gain & Antenna Factor



## 2. Cross Polarization Isolation

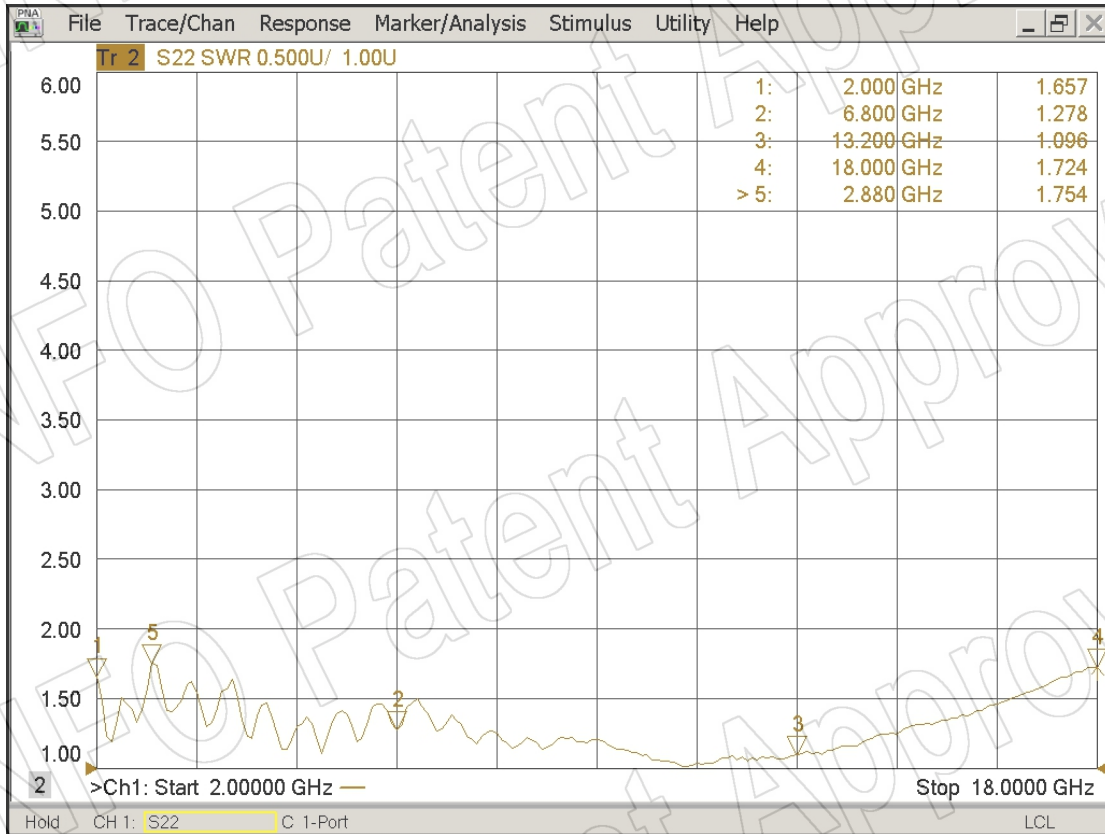


## 3. Port to Port Isolation

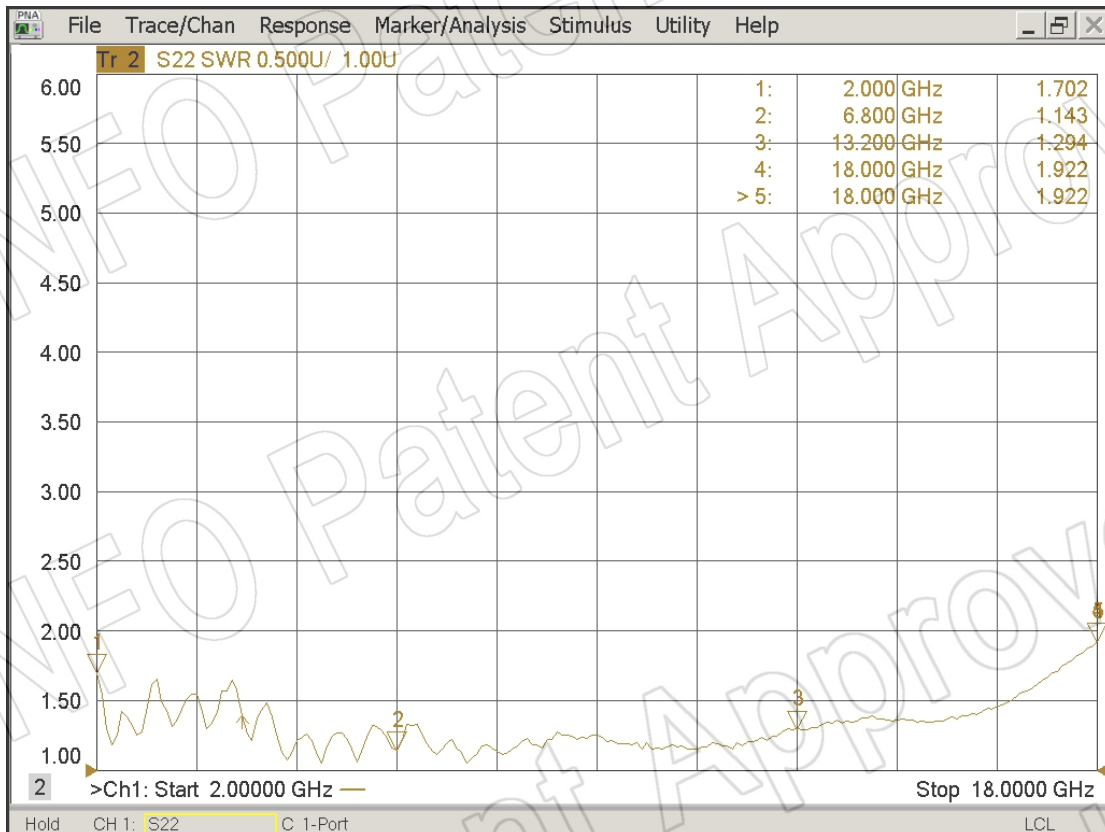


## 4. VSWR

### Port-H



### Port-V



## 5. Pattern

